

# OPERATORS MANUAL



# LANDSCRAPER TILT SCRAPER

## To the Owner/Operator/Dealer

All implements with moving parts are potentially hazardous. There is no substitute for a cautious, safe-minded operator who recognizes the potential hazards and follows reasonable safety practices. The manufacturer has designed this implement to be used with all its safety equipment properly attached to minimize the chance of accidents.

### **BEFORE YOU START!!**

**Read the safety messages on the implement as shown in your manual.  
Observe the rules of safety and common sense!**



#### **IMPORTANT SAFETY INFORMATION!**

Working with unfamiliar equipment can lead to careless injuries. Read this manual, and the manual for your tractor, before assembly or operating, to acquaint yourself with the machines. It is the implement owner's responsibility, if this machine is used by any person other than yourself, is loaned or rented, to make certain that the operator, prior to operating:

1. Reads and understands the operator's manuals.
2. Is instructed in safe and proper use.

The use of this equipment is subject to certain hazards which cannot be protected against by mechanical means or product design. All operators of this equipment must read and understand this entire manual, paying particular attention to safety and operating instructions, prior to using. If there is something in this manual you do not understand, ask your supervisor, or your dealer, to explain it to you. Most accidents occur because of neglect or carelessness. Keep all helpers and bystanders twenty-five feet (25') from an operating implement. Only properly trained people should operate this machine. It is recommended the tractor be equipped with a Rollover Protection System (ROPS) and a seat belt that is used. Always engage parking or place transmission in "Park" and shut off engine before dismounting tractor. Never leave equipment unattended with the tractor running.



#### **THIS SYMBOL MEANS**

- ATTENTION!
- BECOME ALERT!
- YOUR SAFETY IS INVOLVED!

THIS SAFETY ALERT SYMBOL IDENTIFIES IMPORTANT SAFETY WARNING MESSAGES. CAREFULLY READ EACH WARNING MESSAGE THAT FOLLOWS. FAILURE TO UNDERSTAND AND OBEY A SAFETY WARNING, OR RECOGNIZE A SAFETY HAZARD, COULD RESULT IN AN INJURY OR DEATH TO YOU OR OTHERS AROUND YOU. THE OPERATOR IS ULTIMATELY RESPONSIBLE FOR THE SAFETY OF HIMSELF, AS WELL AS OTHERS, IN THE OPERATING AREA OF THE TRACTOR AND ATTACHED EQUIPMENT.



## EQUIPMENT SAFETY GUIDELINES

Safety of the operator is one of the main concerns in designing and developing a new piece of equipment. Designers and manufacturers build in as many safety features as possible. However, every year many accidents occur which could have been avoided by a few seconds of thought and a more careful approach to handling equipment. You, the operator, can avoid many accidents by observing the following precautions in this section. To avoid personal injury, study the following precautions and insist those working with you, or for you, follow them. The term implement refers to the particular implement this operators manual is written for.

In order to provide a better view, certain photographs or illustrations in this manual may show an assembly with a safety shield removed. However, equipment should never be operated in this condition.

Keep all shields in place. If shield removal becomes necessary for repairs, replace the shield prior to use.

To prevent injury or death, use a tractor equipped with a Roll-Over Protective System (ROPS). Do not paint over, remove or deface any safety signs or warning signs on your equipment. Observe all safety signs and practice the instruction on them.

Never exceed the limits of a piece of machinery. If its ability to do a job, or to do so safely, is in question - **DON'T TRY IT.**

Do not modify the equipment in any way. Unauthorized modification may impair the function and/or safety and could affect the life of the equipment.

In addition to the design and configuration of this implement, including Safety Signs and Safety Equipment, hazard control and accident prevention are dependent upon the awareness, concern, prudence, and proper training of personnel involved in the operation, transport, maintenance, and storage of the machine. Refer also to Safety Messages and Operation instruction in each of the appropriate sections of the Tractor and Implement Manuals.

Pay close attention to the Safety Signs affixed to the Tractor and the Implement. Replace any CAUTION, WARNING, DANGER or instruction safety sign that is not readable or is missing. Location of such safety signs is indicated in this booklet.

Never use alcoholic beverages or drugs which can hinder alertness or coordination while operating this equipment. Consult your doctor about operating this machine while taking prescription medications.

Review the safety instructions with all users annually.

This equipment is dangerous to children and persons unfamiliar with its operation. The operator should be a responsible adult familiar with farm machinery and trained in this equipment's operations.

**Do not allow persons to operate, assemble or service this implement until they have read this manual and have developed a thorough understanding of how to operate, assemble and service this implement.**



## SAFETY SIGNS

Keep safety signs clean and legible at all times.

Replace safety signs that are missing or have become illegible.

Replaced parts that displayed a safety sign should also display the current sign.

Safety signs are available from your Distributor or Dealer Parts Department or the factory.



## PERSONAL PROTECTION

Personal protection equipment including hard hat, safety glasses, safety shoes, and gloves are recommended during assembly, installation, operation, adjustment, maintaining, repairing, removal, or moving the implement. Do not allow long hair, loose fitting clothing or jewelry to be around moving parts.



**PROLONGED EXPOSURE TO LOUD NOISE MAY CAUSE PERMANENT HEARING LOSS!** Tractors with or without attachments can often be noisy enough to cause permanent, partial hearing loss. We recommend that you wear hearing protection on a full-time basis if the noise in the Operator's position exceeds 80db. Noise over 85db on a long-term basis can cause severe hearing loss. Noise over 90db adjacent to the Operator over a long-term basis may cause permanent, total hearing loss. **NOTE: Hearing loss from loud noise** (from tractors, chain saws, radios, and other such sources close to the ear) is cumulative over a lifetime without hope of natural recovery.

Ensure implement is properly mounted, adjusted and in good operating condition.

Please remember it is important that you read and heed the safety signs on the rake, and the safety rules set forth. Clean or replace all safety signs if they cannot be clearly read and understood. They are there for your safety as well as the safety of others. The safe use of this machine is strictly up to you, the operator.

All things with moving parts are potentially hazardous. There is no substitute for a cautious, safe-minded operator who recognizes potential hazards and follows reasonable safety practices. The manufacturer has designed this implement to be used with all of its safety equipment properly attached, to minimize the chance of accidents. Study this manual to make sure you have all safety equipment attached.



## Safety Instructions

Hydraulic oil under high pressure can penetrate the skin. Make sure that all operating and service personnel know that in the event hydraulic fluid penetrates the skin, it must be surgically removed within a few hours by a doctor familiar with this form of injury, or gangrene may result.

If a safety shield or guard is removed for any reason, it must be replaced before the machine is again operated.

Before servicing the machine, engage the parking brake or place the transmission in "Park", shut off the tractor and remove the key. Relieve all hydraulic pressure in lines.

When the use of hand tools is required to perform any part of assembly, installation, adjustment, maintaining, repairing, removal, or moving the implement, be sure the tools used are designed and recommended by the tool manufacturer for that specific task.

Personal protection equipment including hard hat, safety glasses, safety shoes, and gloves are recommended during assembly, installation, operation, adjustment, maintaining, repairing, removal, or moving the rake. Do not allow long hair, loose fitting clothing or jewelry to be around moving parts.

Always use two people or a mechanical lift device to handle heavy, unwieldy components during assembly, installation, removal, or moving the implement or components.

Never place any part of your body where it would be in danger if movement should occur during assembly, installation, operation, maintaining, repairing, removal, or moving the implement.

Never place yourself between the tractor and implement while implement is in operation.

Do not walk or work under a raised implement or a raised part of an implement unless it is securely blocked or held in position. Do not depend on the tractor hydraulic system to hold the implement in place.

Never leave implement or a raised part of an implement in the partially raised position. Always lower implement to the ground when storing.

Always install the transport lock device before transporting or storing implement in the transport position.

A heavy load can cause instability of the tractor. Use extreme care during travel. Slow down on turns and watch out for bumps.

Be especially cautious on hill sides. Always operate tractor at a safe speed for the conditions experienced.

Do not allow riders on the implement or tractor at any time. There is no safe place for any riders.

Before you operate the implement, check over all pins, bolts and connections to be sure all are securely in place.

Replace any damaged or worn parts immediately.

Do not allow anyone who is not familiar with the safety rules and operation instructions to use this rake.

Never allow children to operate or be around this implement.

Use safety chain when towing implement.

Do not operate implement on steep hillsides.

Watch out for low overhead electrical wires and limbs when operating or transporting the implement. Check clearance of doorways when entering a building.

Install transport lock device before transporting or storing the rake.



**NEVER INSERT A FINGER IN HOLE TO CHECK ALIGNMENT.**

Always use care when operating implement.



**ALWAYS OBEY SAFETY WARNINGS!**



## TRANSPORT SAFETY

Comply with state and local laws governing highway safety and movement of farm machinery on public roads.

The use of flashing amber lights is acceptable in most localities. However, some localities prohibit their use. Local laws should be checked for all highway lighting and marking requirements.

When driving the tractor and equipment on the road or highway under 20 mph (32 kph) at night or during the day, use flashing amber warning lights and a slow moving vehicle (SMV) identification emblem. Except when prohibited by law.

Watch out for low overhead electrical wires and limbs when operating or transporting the implement. Check clearance of doorways when entering a building.

Always be sure the implement is in the proper raised position for transport.

Reduce speed when transporting mounted implements to avoid bouncing and momentary loss of steering control.

Plan your route to avoid heavy traffic.

Always shut off hydraulic transport lock valves before transporting.

Do not drink and drive!

Watch for traffic when operating near or crossing roadways.

Turn curves or go up or down hills only at a low speed and at a gradual steering angle. Make certain that at least 20% of the tractor's weight is on the front wheels to maintain safe steering. Slow down on rough or uneven surfaces, and loose gravel.

Use extreme care and maintain minimum ground speed when transporting on hillside, over rough ground and when operating close to ditches or fences. Be careful when turning sharp corners.

Never allow riders on either tractor or implement. Falling off can kill. Be a safe and courteous driver. Always yield to oncoming traffic in all situations, including narrow bridges, intersections, etc.

Do not exceed 20 mph (32 kph). Reduce speed on rough roads and surfaces.





## **STORAGE SAFETY**

Following operation, or when unhooking, stop the tractor, set the tractor brakes, lower implement all the way to the ground and release hydraulic pressure, disengage the PTO, shut off the engine and remove the ignition keys.

Store the unit in an area away from human activity.

Do not permit children to play on or around the stored unit.

Make sure all parked machines are on a hard, level surface and engage all safety devices.

If blocking is used, make sure it is solid and secure before leaving area.

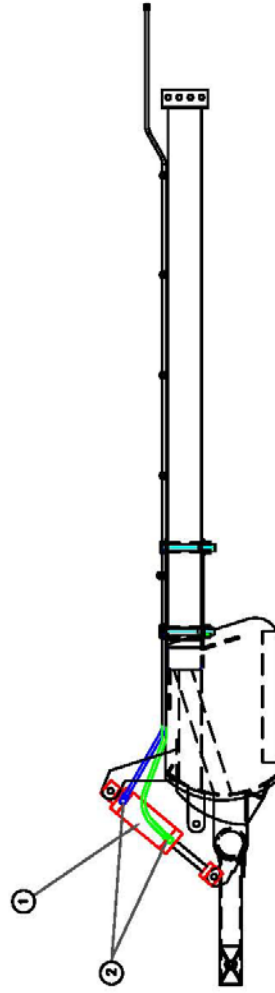
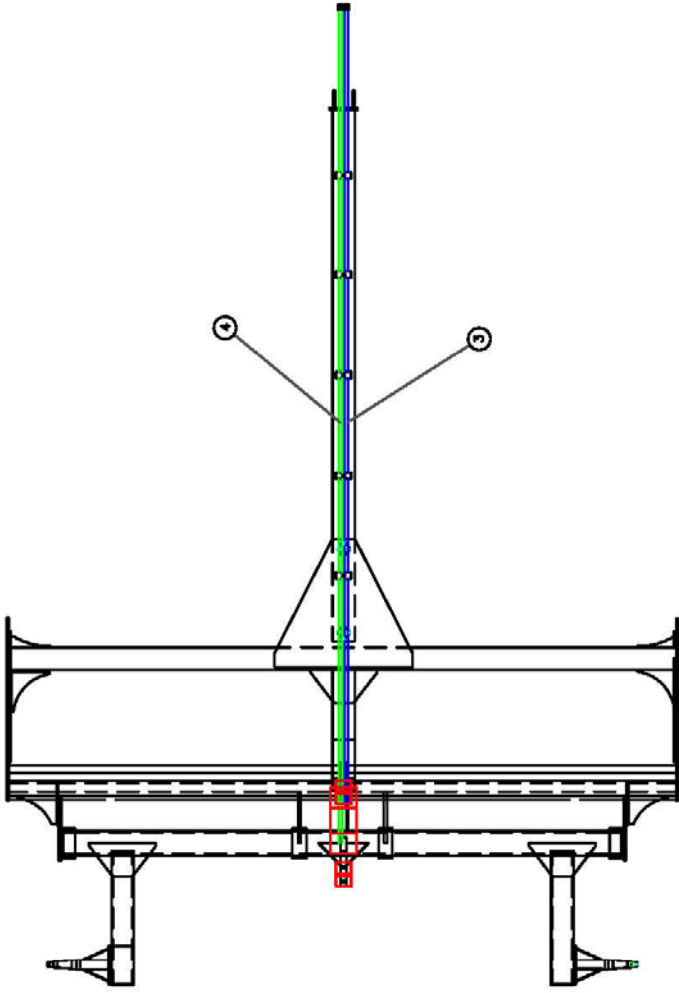
Never stand between tractor and implement when tractor is being backed up to implement to hitch up implement.

---

## **ASSEMBLY INSTRUCTIONS**

The Landscaper and Tiltscaper come from the factory fully assembled with the exception of the hydraulic hoses. Install the hydraulic hoses as shown in the following diagrams. Hydraulic cylinders are always mounted with the barrel end attached to the fixed point and the rod end attached to the movable point.

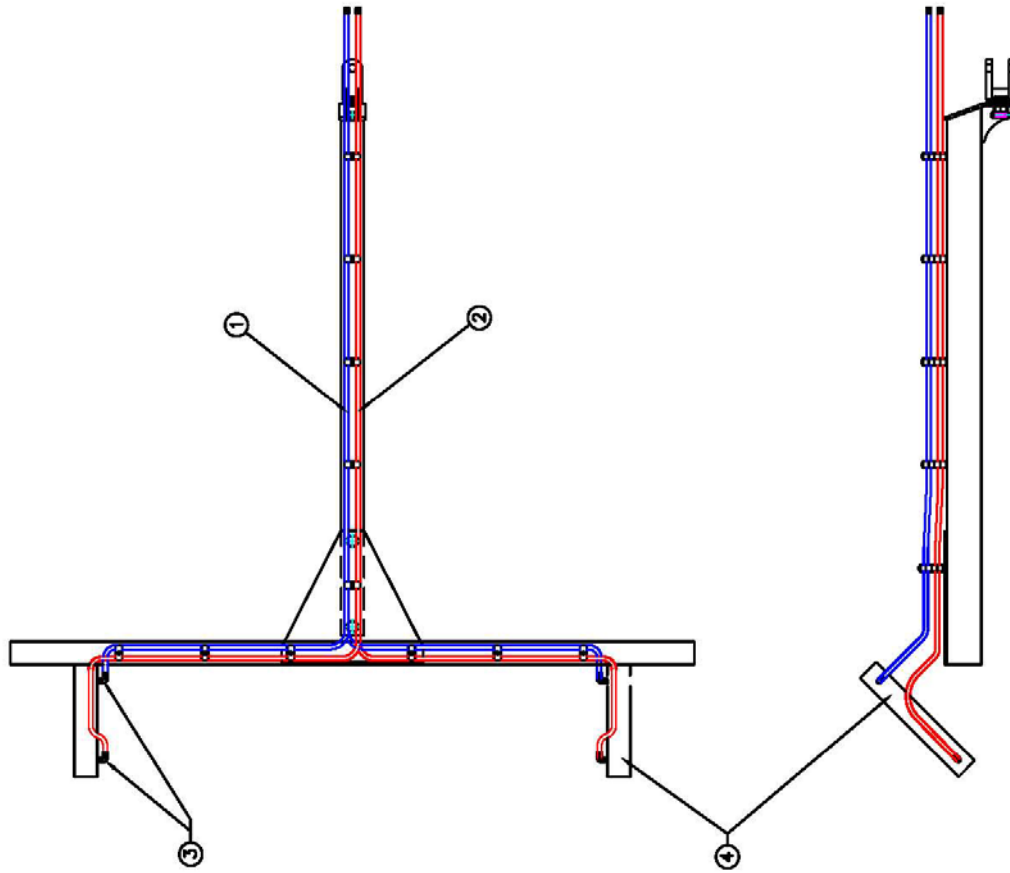




<u>6 &amp; 8' Landscaper</u>	
1	3/8"x132" hose
1	3/8"x144" hose
<u>10', 12', 14' Landscaper</u>	
1	3/8"x180" hose
1	3/8"x192" hose

POS	NUMBER	QTY	ITEM NAME
4	250035	1	3/8 X 192" HYDRAULIC HOSE
3	250034	1	3/8 X 180" HYDRAULIC HOSE
2	250085	2	1/2 X 90deg ELBOW
1	250026	1	3 X 8 CYLINDER

UNLESS OTHERWISE SPECIFIED DIMENSIONS ARE IN INCHES		DATE		DATE	
TOLERANCES		10-12-10		PART	
DECIMALS	± .010	ANGULAR	± 1/2°	422080 LANDSCRAPER HYDRAULIC DIAGRAM	
.XX	± .005	FRACTIONS	± 1/64	DURABILT IND INC	
.XXX	± .0005			POCAHONTAS AR	
.XXXX	± .0005			LANDSCRAPER	
DRAWN				TITLE	
BPOE				AS SHOWN	
CHECK				PART # 422080	
MATERIAL				# REDD	



- 8' Tiltcraper  
 2 3/8"x180" hose  
 2 3/8"x192" hose

- 10' Tiltcraper  
 2 3/8"x216" hose  
 2 3/8"x228" hose

POS	NUMBER	QTY	ITEM NAME
4	250026	2	3 X 8 CYLINDER
3	250085	4	1/2 X 90deg ELBOW
2	250025	2	3/8 X 228" HYDRAULIC HOSE
1	250049	2	3/8 X 216" HYDRAULIC HOSE

UNLESS OTHERWISE SPECIFIED  
 DIMENSIONS ARE IN INCHES  
 TOLERANCES  
 DECIMALS ± .010 ANGULAR ± 1/2°  
 .XXX ± .005 FRACTIONS ± 1/64  
 .XXXX ± .0005 ± 1/64

DRAWN	BPOE	DATE	7-27-09
CHECK		DATE	
MATERIAL			

AS SHOWN

DURABILT IND INC  
 POCAHONTAS AR

10' TILT SCRAPER

422110 10' TILT SCRAPER ASSEMBLY

PART # 422110 # REVD 1

---

# OPERATING INSTRUCTIONS

## ATTACHING LANDSCRAPER OR TILTSCRAPER TO THE TRACTOR

Before hitching the scraper to the tractor make sure both are in good operating condition. Slowly back up to the scraper until the tractor drawbar lines up with the hitch clevis on the scraper. Insert proper size hitch pin ( not included with scraper) and retaining clip. Adjust hitch clevis on scraper so that horizontal part of the tongue is level when the scraper is sitting on the ground.



**Warning: do not stand between tractor and implement while tractor is being backed up to implement!**

Plug hydraulic hoses into tractor remotes.

## PUTTING THE SCRAPER INTO WORKING POSITION

**Make sure the area is clear of bystanders and is clear of obstacles.** Using the tractor remote lower the scraper into working position.



**Warning: Make sure area is clear to either side of and all around scraper before lowering to the ground!**

## PUTTING THE SCRAPER INTO TRANSPORT POSITION

Raise the scraper all the way up. Make sure scraper is down all the way before unhooking from tractor.



**Always make sure area is clear of bystanders before operating scraper. Never work on scraper while in the up position.**

## STORING THE SCRAPER

Lower scraper into the working position (all the way down onto the ground), shut off tractor engine and release hydraulic pressure off of scraper hoses. Make sure scraper is down all the way before getting off tractor and unhooking from tractor. Always set parking brake of tractor and shut off tractor engine before dismounting tractor. Disconnect hydraulic hoses from tractor. Lower jack into position and crank it up until the clevis just raises off of drawbar of tractor. Remove hitch pin and carefully pull tractor away from implement. Never allow anyone to stand between tractor and implement when engine is running.



**Always make sure area is clear of bystanders before operating scraper. Never work on scraper while in the up position.**

## SERVICE AND MAINTENANCE

- Before each use inspect implement for missing, damaged, worn or loose parts, pins, clips and fasteners including but not limited to nuts, bolts, clips, roll pins, etcetera.
- Before each use inspect all hydraulic hoses, fittings, cylinders and valves for damage and/or leaks.
- Never work on implement while in the raised position without blocking it so it can't fall.



**Warning: Hydraulic fluids are under extremely high pressure. Escaping fluid can penetrate clothing and skin causing serious injury. If this should occur, seek medical attention immediately!**

- It is recommended that you add grease to all grease fittings on your implement daily.
- Replace any damaged and/or worn components as necessary.



**Warning: Anytime service, repairs or maintenance is performed on rake, all normal safety measures should be taken. This would include but is not limited to wearing of proper safety clothing and eye protection. Only properly trained mechanics should perform service and repairs.**

### STATEMENT OF POLICY

It is the policy of Durabilt Industries, LLC to improve its products where it is possible and practical to do so. Durabilt Industries, LLC reserves the right to make changes or improvements in design and construction at anytime, without incurring the obligation to make these changes on previously manufactured units.

## SPECIFICATIONS

Description	LS06	LS08	LS10	LS12	LS14
• Min. HP. Required	40	40	50	60	80
• Hyd. Remotes Required	1	1	1	1	1
• Min. Transport Width	6'	8'	10'	12'	14'
• Shipping Weight	882 lbs	1060 lbs	1238 lbs	1416 lbs	1594 lbs
• Tire Size	7:60 x 15	7:60 x 15	11L x 15	11L x 15	11L x 15

## SPECIFICATIONS

Description	TS08	TS10
• Min. HP. Required	40	50
• Hyd. Remotes Required	2	2
• Min. Transport Width	8'	10'
• Shipping Weight	1260 lbs	1500 lbs
• Tire Size	7:60 x 15	11L x 15



Note the use of the signal words **DANGER**, **WARNING** and **CAUTION** with the safety messages. The appropriate signal word for each has been selected using the following guidelines:

**⚠ DANGER** : Indicates an imminently hazardous situation that, if not avoided, will result in death or serious injury. This signal word is to be limited to the most extreme situations typically for machine components which, for functional purposes, cannot be guarded.

**⚠ WARNING** : Indicates a potentially hazardous situation that, if not avoided, could result in death or serious injury, and includes hazards that are exposed when guards are removed. It may also be used to alert against unsafe practices.

**⚠ CAUTION** : Indicates a potentially hazardous situation that, if not avoided, may result in minor or moderate injury. It may also be used to alert against unsafe practices.

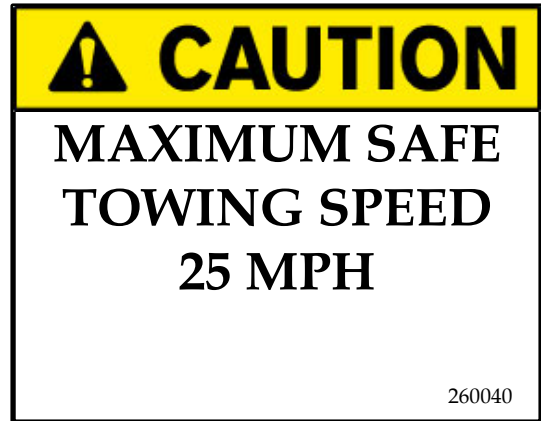
---

If you have questions not answered in this manual or require additional copies or the manual is damaged, please contact your dealer or the manufacturer directly.

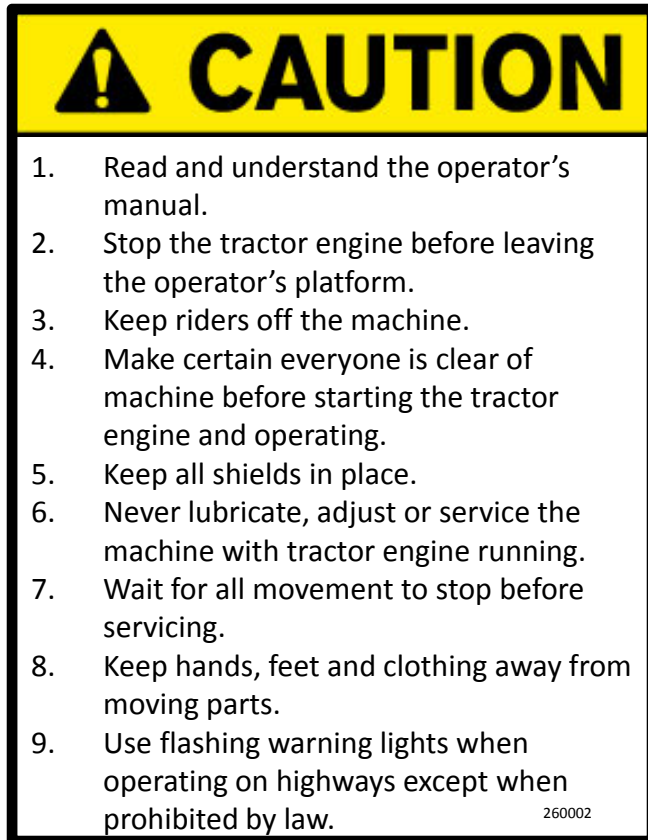
(located on top of tongue at hitch clevis)



(located on top of tongue at hitch clevis)



( Top of tongue just in front of first hose clamp)



( Front of top beam left side of tongue )

---

# **DURABILT INDUSTRIES, LLC**

**Phone: 870-892-4501**

## **LIMITED WARRANTY**

**(Effective November 24, 2008)**

**Durabilt Industries, LLC warrants its products to be free from defects in material or workmanship, under normal intended use, for a period of one year from the date of sale to the original private customer. The term of the warranty for commercial customers including rental operations is 6 months from date of original sale. This warranty is not transferable and is therefore valid only to the original customer or legal entity.**

**Durabilt Industries, LLC shall not be liable for any incidental or consequential loss or damages (including but not limited to loss of use, loss of profits and damage to the equipment to which the Durabilt unit may be attached) occurring for any reason at any time.**

**For the warranty to be valid the warranty registration card that you received with your machine must be filled out and on file with Durabilt Industries, LLC prior to any warranty repairs being performed. The warranty registration card must be filled out and mailed to Durabilt Industries, LLC within 30 days of purchase.**

**The Durabilt Industries, LLC limited warranty covers parts and labor for authorized repairs. All warranty repairs must be authorized by Durabilt Industries prior to the work being started. Call your dealer to schedule warranty repairs. Your dealer must request a warranty repair authorization number. This number must be provided on all warranty claims for them to be considered for reimbursement. In no event shall Durabilt's liability exceed the purchase price of the unit.**

**The Limited Warranty is void if the product has been altered or modified in any way. Improper use, poor maintenance, abuse, accidental damage, alteration or removal of the serial number tag among other things or actions will void the limited warranty. This limited warranty does not cover wear items such as blades, hoses, tires, chains, couplers, etc. Depreciation due to normal wear is excluded from the warranty.**

**Only parts received from Durabilt Industries will be considered for reimbursement. Durabilt Industries, LLC reserves the right to alter, update or improve its products at any time without incurring any obligation to past customers.**





# DURABILT

Durabilt Industries, LLC • Pocahontas, AR 72455 • Phone 870-892-4501